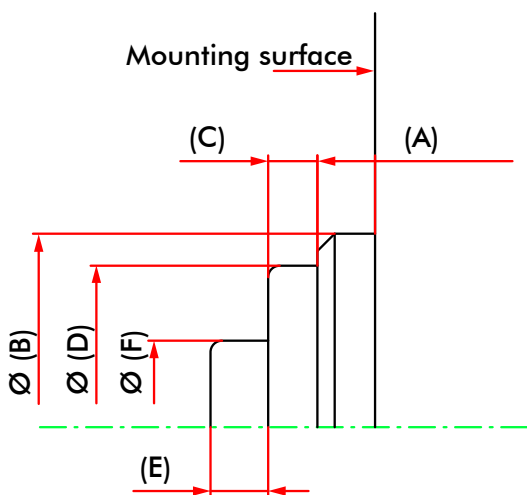
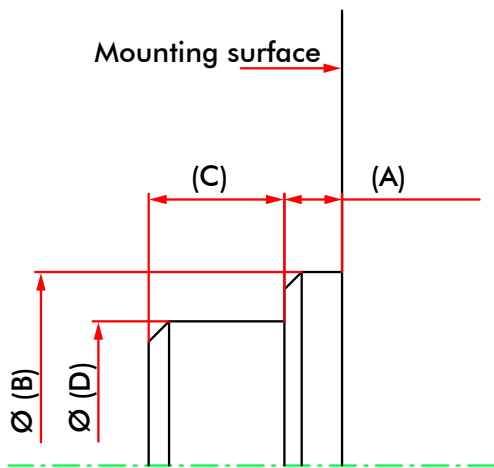
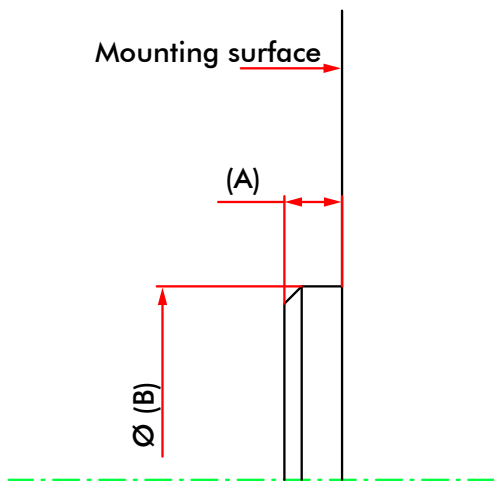


# Form N. 3



(A): \_\_\_\_\_ (D): \_\_\_\_\_  
 (B): \_\_\_\_\_ (E): \_\_\_\_\_  
 (C): \_\_\_\_\_ (F): \_\_\_\_\_

Customer: \_\_\_\_\_

Telephone: \_\_\_\_\_

E-mail: \_\_\_\_\_

Vehicle make: \_\_\_\_\_

Model: \_\_\_\_\_

Year: \_\_\_\_\_

Inteded use \_\_\_\_\_

Bolt circle (PCD): \_\_\_\_\_

Stud size (Thread): \_\_\_\_\_

Pilot Diameter (Hub): \_\_\_\_\_

Lug seat type:  Tapered \_\_\_\_\_

Spherical \_\_\_\_\_

Flat \_\_\_\_\_

ET: \_\_\_\_\_

OE size: \_\_\_\_\_

Wheel: \_\_\_\_\_

Tyre: \_\_\_\_\_

Required size: \_\_\_\_\_

Wheel: \_\_\_\_\_

Preferred tire size: \_\_\_\_\_

**EVOCORSE**  
 by Seido D.E. srl

📍 Via Staizza, 56 - 31033  
 Castelfranco Veneto (TV)

☎ +39 049 936 50 50

🌐 www.evocorse.com

@ evo@evocorse.com